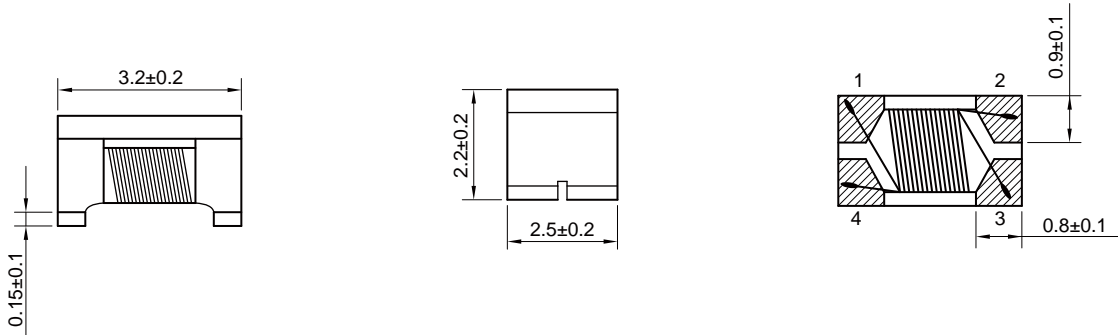
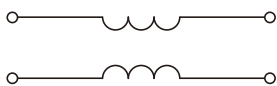


SCM Series
Common Mode Filter
Size 3225

Dimensions: [mm]



Schematic:



Electrical Properties:

	()	()	(mA)	(V)	(V)	(M)

Typical Electrical Characteristics:

